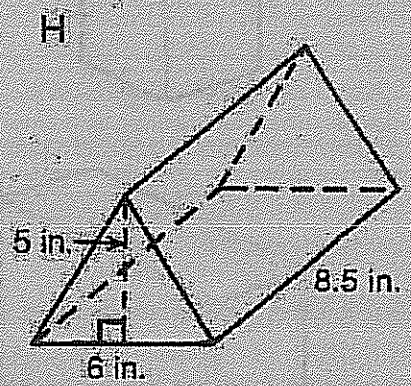
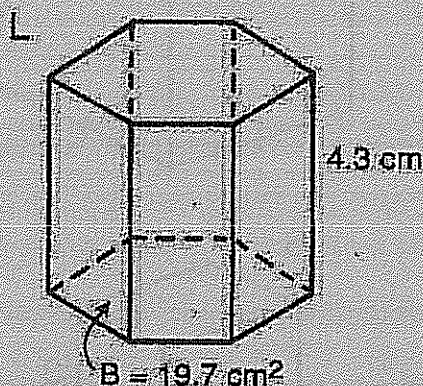
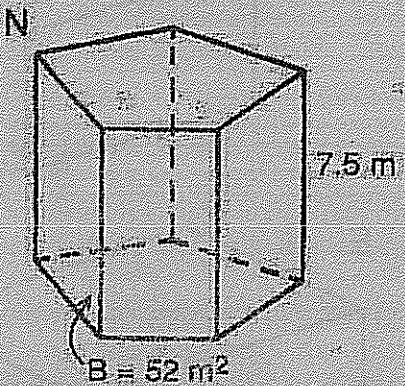
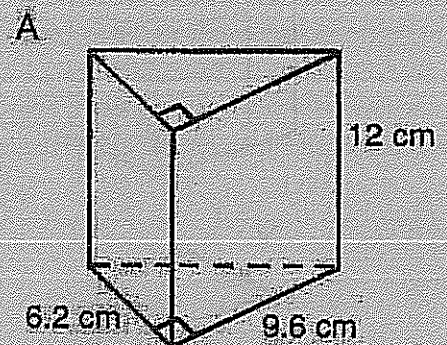
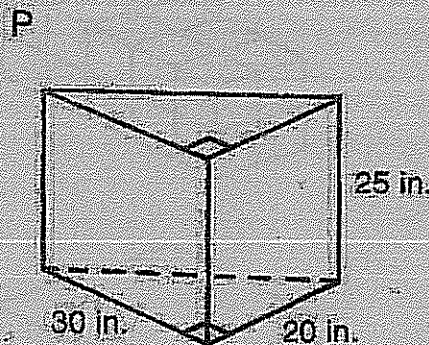
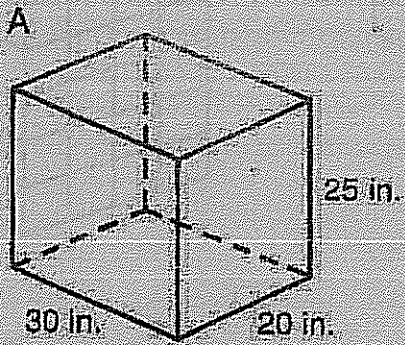
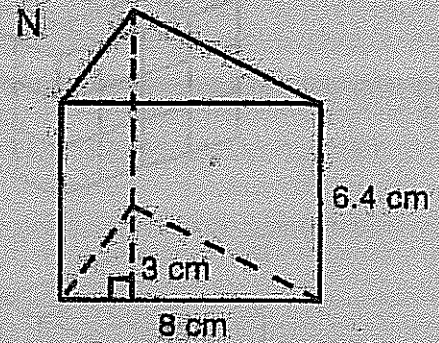
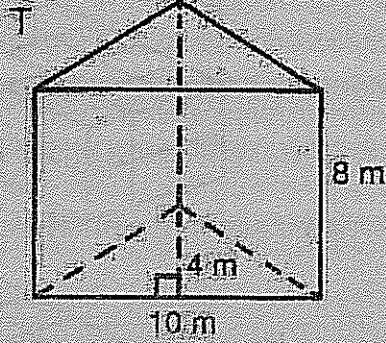
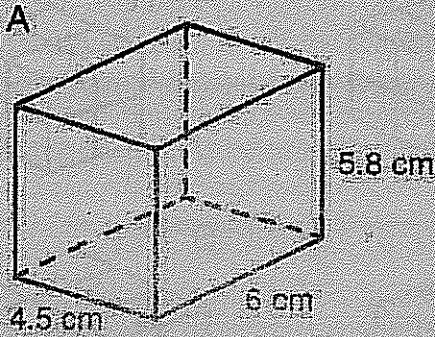


NAME _____

What Is Big, Gray, and Lives in California?

Find the volume of each prism. Write the letter of the exercise in the box above the answer at the bottom of the page.

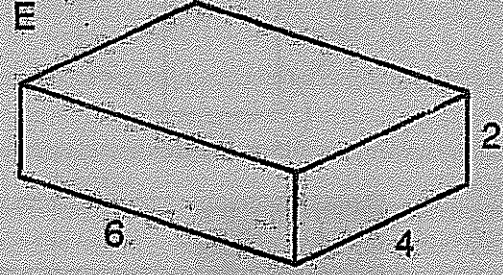
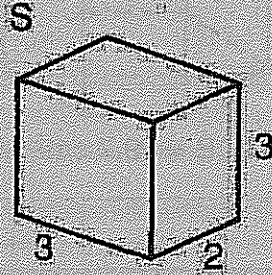
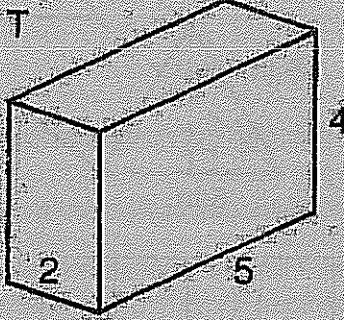
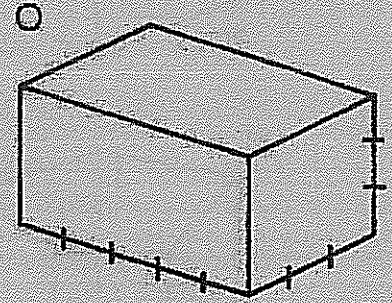
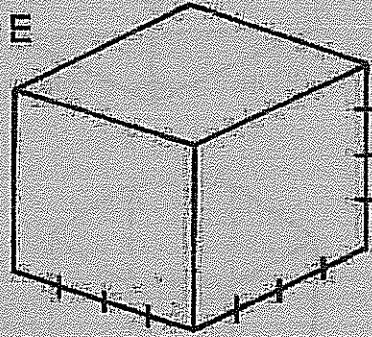
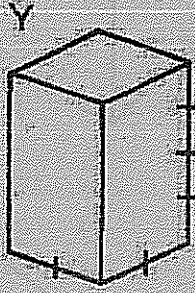
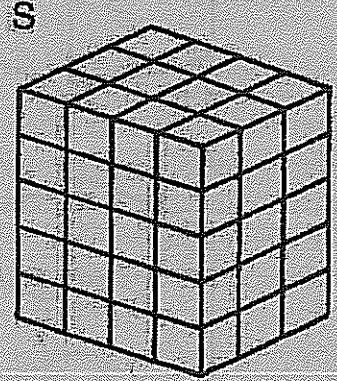
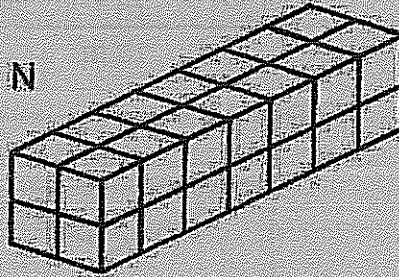
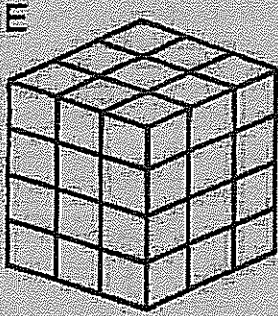
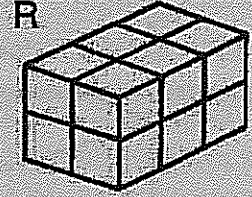
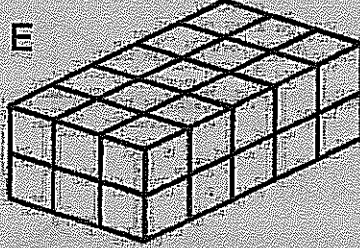
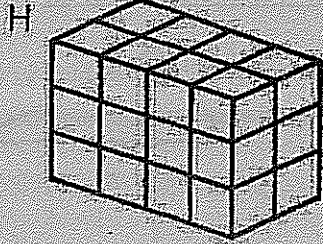


83.8 cm ³	357.12 cm ³	76.8 cm ³	8,800 in. ³	92.31 cm ³	84.71 cm ³	156.6 cm ³	114.5 in. ³	364.5 m ³	7,500 in. ³	127.5 in. ³	15,000 in. ³	390 m ³	160 m ³	349.22 cm ³						

NAME _____

Mystery: What happened when a 6-year old, a 5-year old, a 4-year old, a 3-year old, and a 2-year old joined to form a basketball team?

Find the volume of each prism in cubic units. Write the letter of the exercise in the box containing the answer.



(L) $l=3; w=7; h=2$

(W) $l=4; w=3; h=6$

(E) $l=5; w=5; h=3$

40	24	36	16	32	72	64	12	48	80	45	28	75	42	30	60	18
----	----	----	----	----	----	----	----	----	----	----	----	----	----	----	----	----