

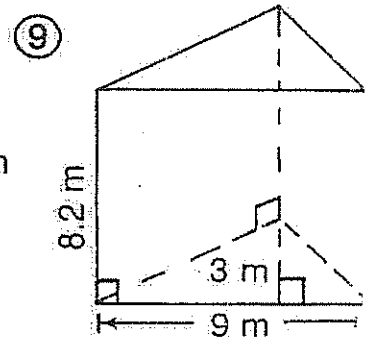
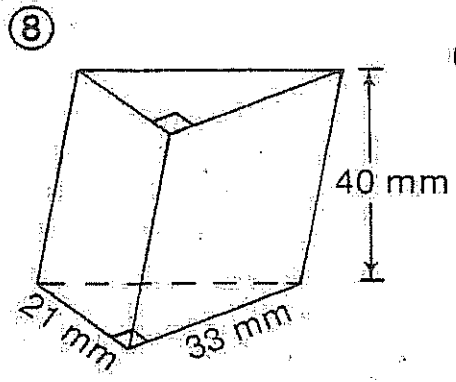
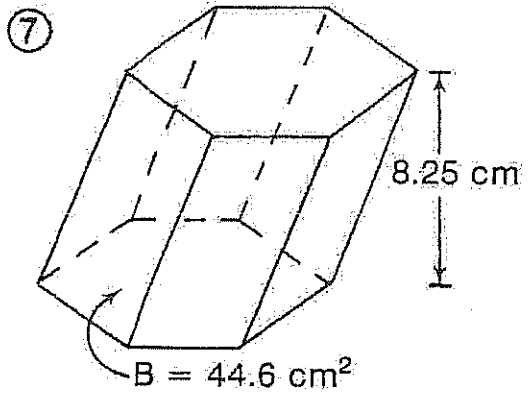
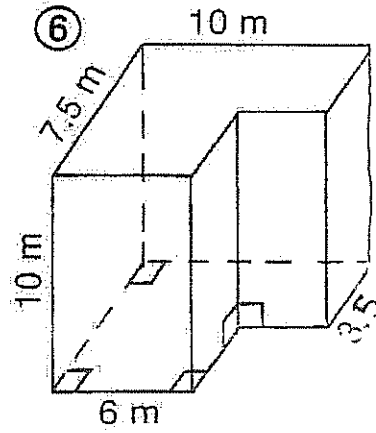
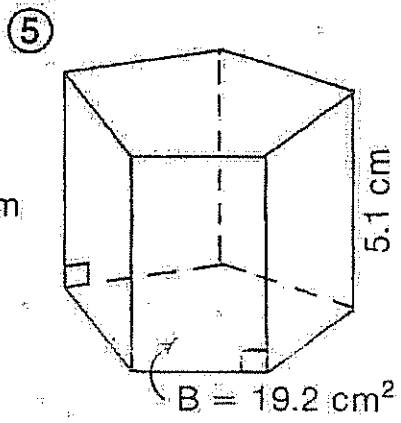
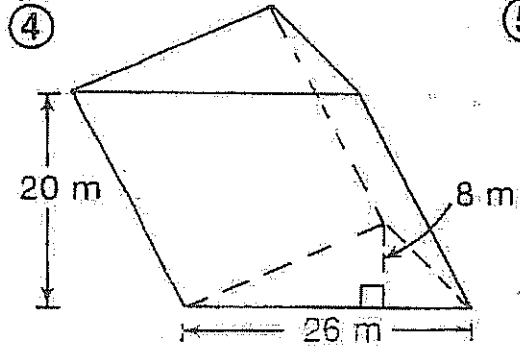
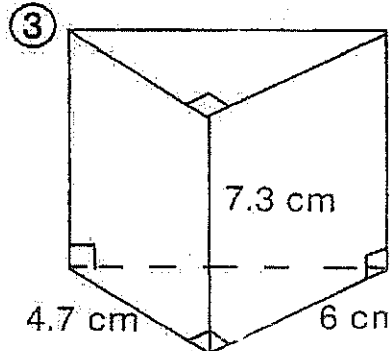
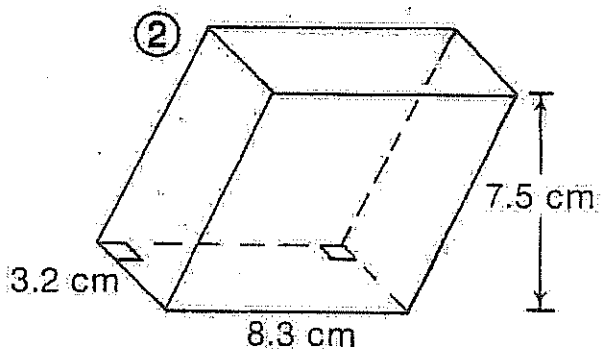
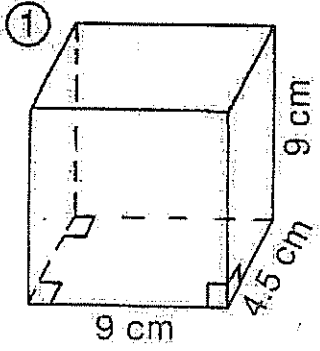
rectangle
 $V = lwh$
 triangular
 $V = \frac{1}{2}bh$

$V = Bh$

SHOW WORK... Whatever you put in your calculator write down

What Do You Call It When A Bull Eats A Bomb?

Figure out the VOLUME of each prism and find your answers in the rectangle below. Cross out each box containing a correct answer. When you finish, there will be 5 boxes not crossed out. Print the letters from these boxes in the boxes at the bottom of the page.

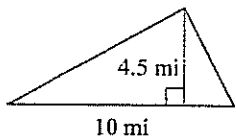


CO 102.93 cm ³	WS 2080 m ³	GR 110.7 m ³	AB 117.7 m ³	IG 97.92 cm ³	BO 199.2 cm ³	OM 9150 mm ³
BL 590 m ³	IN 369.5 cm ³	OW 364.5 cm ³	AB 1050 m ³	HO 13,860 mm ³	LE 91.82 cm ³	UP 367.95 cm ³

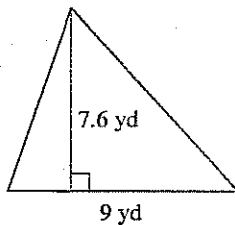
Assignment

Find the area of each.

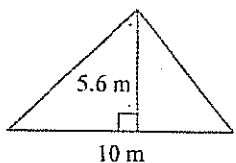
1)



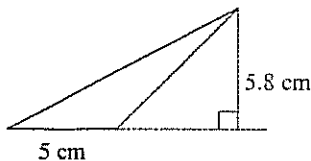
2)



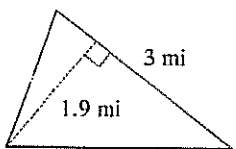
3)



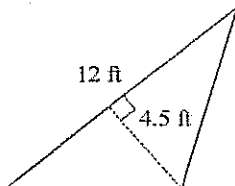
4)



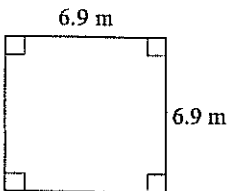
5)



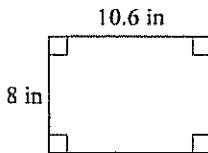
6)



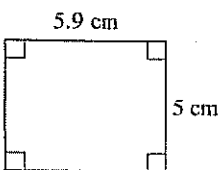
7)



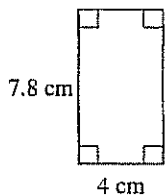
8)



9)

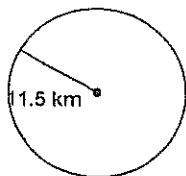


10)



Find the area of each. Use 3.14 for the value of π . Round your answer to the nearest tenth.

11)



12)

